

3-piece, Hand Lever

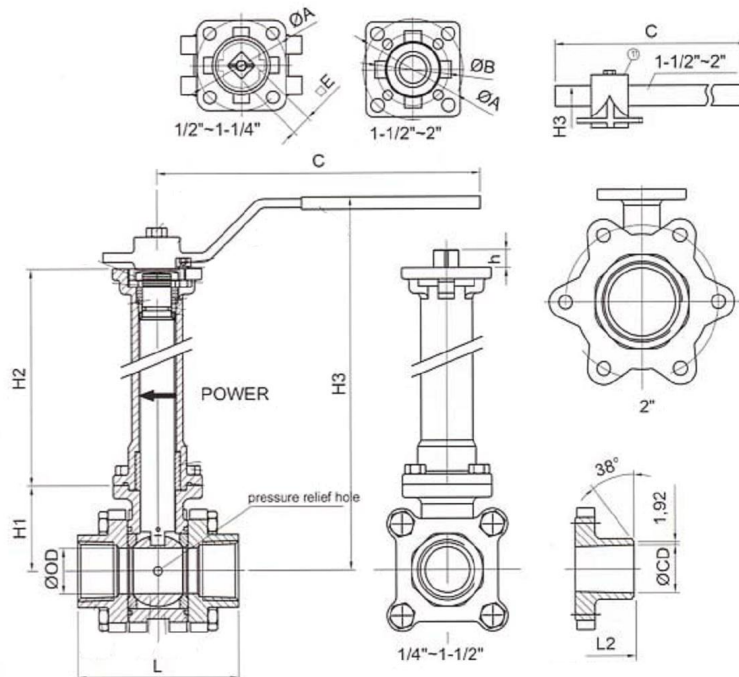


Series K32C

3-piece ball valve with lockable hand lever.
 Antistatic design.
 Full port.
 Mounting pattern according to ISO5211 for automation with pneumatic or electric actuator.
 Face-to-face dimension acc. to DIN3202 S13

Technical Features

Body:	Stainless steel CF8M
Ball:	Stainless steel CF8M
Stem:	Stainless steel CF8M
Hand lever:	Stainless steel AISI304
Bolts and nuts:	Stainless steel AISI304
Ball seats:	PCTFE (KEL-F)
Stem seals:	PCTFE (KEL-F), Grafoil, FKM and PTFE+graphite
Body seals:	Grafoil
Temperature range:	-196...+200°C
Connections:	Buttweld connections acc. to EN12627



Dimensions

Type	ØOD	ØCD	L2	C	E	ØA	ØB	H1	H2	H3	h	PN
K32C-DN08	9,6	10,4	67	156	9	F04	-	39,0	200	274	8	130
K32C-DN10	9,6	13,7	67	156	9	F04	-	39,0	200	274	8	130
K32C-DN15	15,0	15,8	75	156	9	F04	-	39,0	200	274	8	130
K32C-DN20	20,0	20,9	90	156	9	F04	-	42,6	200	276	8	130
K32C-DN25	25,0	26,6	100	181	11	F05	-	47,2	200	287	10	130
K32C-DN32	31,0	35,0	110	181	11	F05	-	51,2	200	292	10	130
K32C-DN40	38,0	40,8	125	395	14	F05	F07	58,5	300	403	13	130
K32C-DN50	50,0	52,5	150	395	14	F05	F07	76,2	300	423	13	130