

## 3-piece, Hand Lever

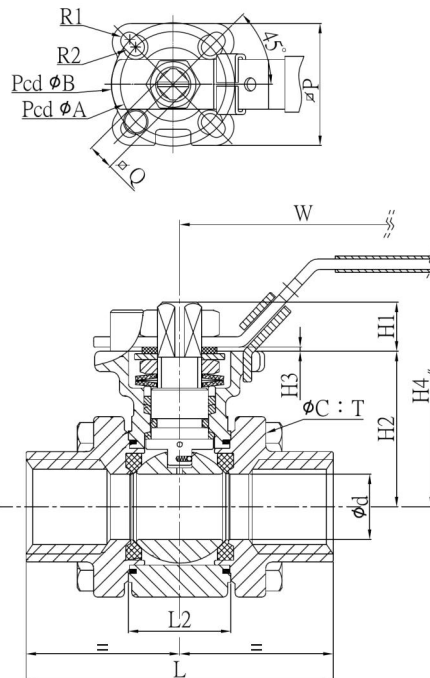


### Series K30H

3-piece ball valve with lockable hand lever.  
 Antistatic design acc. to EN1983/ISO7121.  
 Firesafe acc. to API607.  
 Full port.  
 Mounting pattern according to ISO5211 for automation with pneumatic or electric actuator.

### Technical Features

|                    |                         |
|--------------------|-------------------------|
| Body:              | Stainless steel CF8M    |
| Ball:              | Stainless steel CF8M    |
| Stem:              | Stainless steel AISI316 |
| Hand lever:        | Stainless steel AISI304 |
| Bults and nuts:    | Stainless steel AISI304 |
| Ball seats:        | TFM1600 PTFE            |
| Stem seals:        | RPTFE and FKM           |
| Body seals:        | RPTFE                   |
| Temperature range: | -40...+180°C            |
| Connections:       | Female thread           |



### Dimensions

| Type        | Ød   | ISO5211 | L±2 | L2   | H1±1 | H2 | H3  | H4±3 | Q  | R1   | R2   | ØE   | ØE1  | P    | ØC   | T   | W   | PN  | Kg   |
|-------------|------|---------|-----|------|------|----|-----|------|----|------|------|------|------|------|------|-----|-----|-----|------|
| K30H-1/4"   | 11,0 | F03     | 60  | 22,7 | 11   | 34 | 1-5 | 68   | 9  | Ø6   | -    | 18   | 12   | 37,5 | 6,5  | M6  | 117 | 200 | 0,52 |
| K30H-3/8"   | 12,7 | F03     | 60  | 22,7 | 11   | 34 | 1-5 | 68   | 9  | Ø6   | -    | 18   | 14   | 37,5 | 6,5  | M6  | 117 | 200 | 0,55 |
| K30H-1/2"   | 16,0 | F03/F04 | 65  | 24,0 | 11   | 38 | 1-5 | 72   | 9  | R3   | R3   | 22   | 17,1 | 41,5 | 6,5  | M6  | 117 | 200 | 0,64 |
| K30H-3/4"   | 20,0 | F03/F04 | 75  | 28,0 | 14   | 43 | 1-5 | 79   | 11 | R3   | R3   | 27,5 | 22,5 | 41,5 | 8,4  | M8  | 127 | 200 | 0,96 |
| K30H-1"     | 25,0 | F04/F05 | 85  | 34,0 | 12   | 50 | 1-5 | 85   | 11 | R3,5 | R3   | 33,5 | 28   | 50,4 | 8,4  | M8  | 170 | 200 | 1,43 |
| K30H-1 1/4" | 32,0 | F04/F05 | 100 | 44,0 | 12   | 55 | 1-5 | 88   | 11 | R3,5 | R3   | 44   | 33,5 | 50,4 | 10,6 | M10 | 170 | 200 | 2,25 |
| K30H-1 1/2" | 38,0 | F05/F07 | 110 | 43,0 | 16   | 65 | 1-5 | 105  | 14 | R4,5 | R3,5 | 50   | 43   | 66,5 | 10,6 | M10 | 182 | 130 | 3,65 |
| K30H-2"     | 50,0 | F05/F07 | 130 | 65,0 | 16   | 75 | 1-5 | 114  | 14 | R4,5 | R3,5 | 61,5 | 53   | 66,5 | 10,6 | M10 | 182 | 130 | 5,97 |