

Servo Assisted Pulse Valve



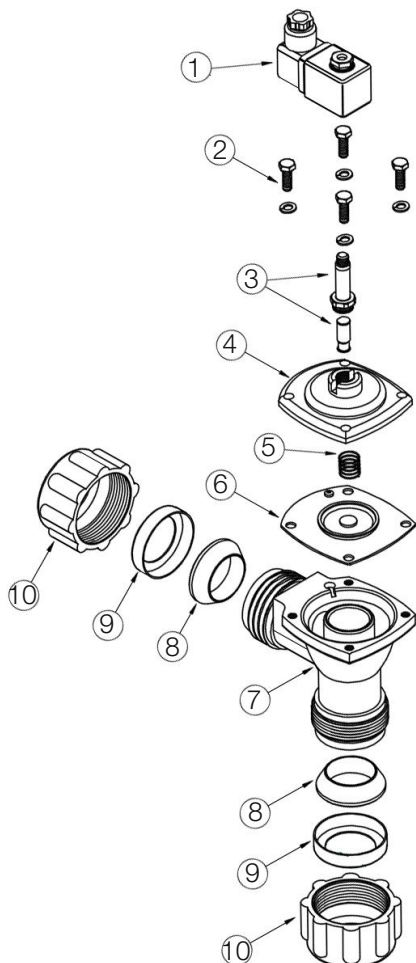
DP20

Servo assisted pulse valve for the cleaning of dust collector filters.
The valve is customized to be mounted on a header tank with compressed air or Nitrogen.
With compression fittings for plain blow tubes.

Technical Specification

| | |
|--------------------|--|
| Media pressure: | 0,5...7,5bar |
| Temperature range: | -20...80°C |
| Standard voltages: | 24VDC, 24,115,230V/50-60Hz (±10%) |
| Power consumption: | DC-18W, AC-19VA |
| Protection class: | IP65 EN60529 with properly mounted connector |
| Connector: | PG9 E175301-803 |
| Body: | Aluminium |
| Diaphragm: | Neoprene, reinforced |
| Pilot group: | Stainless steel |

Spare Parts



| Pos | Description | Type |
|-----|---------------------|---------------------------------|
| 1 | Coil with connector | BH10-...VDC / BH10-...V/50-60Hz |
| 2 | Screw and washer | VTE6x20+TROND6GROWER |
| 3 | Pilot group | GPC10 |
| 4 | Cover | TCOP25 |
| 5 | Spring | TMOL10G |
| 6 | Diaphragm | M25 |
| 7 | Body | TCOR20/25MMG |
| 8 | Conical seal | GCON20 |
| 9 | Retainer ring | OG20 |
| 10 | Compression nut | TDAL20/25 |

