

Stainless Steel

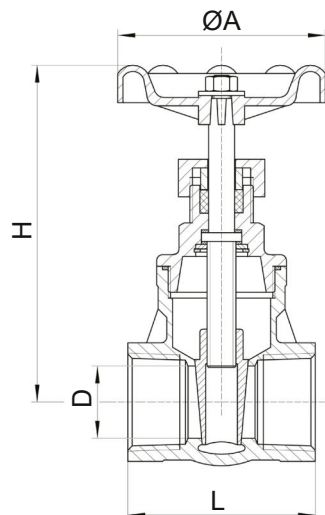


09

Gate valve with handwheel
Non rising stem
Metal seat

Technical Features

Body:	Stainless steel CF8M
Disc:	Stainless steel CF8M
Stem:	Stainless steel AISI 304
Handwheel:	Aluminium, red
Nut:	Stainless steel AISI 304
Body gasket:	PTFE
Temperature range:	0...+150°C
Connection:	Female thread acc. to ISO 228-1



Dimensions

Type	G"	DN	ØA	D	H	L	PN	Kg
0923/08-1/2"	1/2	15	61	15	99	58	16	0,4
0924/08-3/4"	3/4	20	61	20	109	62,5	16	0,5
0925/08-1"	1	25	77	25	114	70,5	16	0,8
0926/08-1 1/4"	1 1/4	32	83	32	136	78,5	16	1,0
0927/08-1 1/2"	1 1/2	40	83	40	152	83	16	1,6
0928/08-2"	2	50	95	50	171	96	16	2,3