

DN 300 - 900, Bare Shaft

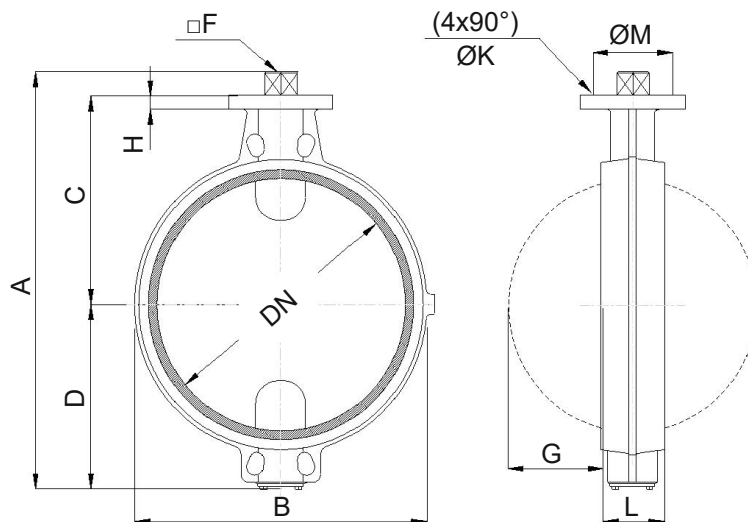


SL

Wafer type butterfly valve suitable for flanges PN10/16 (DN300-600), PN10 (DN700-900). Interchangeable seat with support ring. Only the disc and seat are in contact with the media. Valve top according to ISO 5211 for actuator.

Technical Specification

Shut-off pressure:	DN300-600 max 10bar. DN700-900 max 6bar.
Face to face dimension:	Acc. to ISO 5752-20
Body:	Cast iron GJL-200, Epoxy coated
Disc:	Stainless steel AISI316
Stem:	Stainless steel AISI329
Seat:	EPDM (standard), NBR, FKM, natural rubber, Polyurethane or Silicone
Temperature range:	EPDM: 0...+120°C, NBR: 0...+95°C, FKM: 0...+150°C Natural rubber: 0...+80°C, polyurethane: 0...+80°C, silicone: 0...+180°C
ATEX:	CE Ex II 2 GD



Dimensions

DN	Type	ISO5211	A	B	C	D	F	G	H	K	L	M	PN	Nm	Kg
300	SL0300VHER-F10	F10	547	376	275	250	22	111	15	12	78	102	10	530*	28
350	SL0350VHER-F12	F12	617	436	310	280	27	129	15	14	78	125	10	770*	42
400	SL0400VHER-F14	F14	676	487	335	305	36	142	20	18	102	140	10	1050*	65
450	SL0450VHER-F14	F14	762	535	390	336	36	155	28	18	114	140	10	1420*	86
500	SL0500VHER-F16	F16	826	591	415	375	46	179	28	22	127	165	10	1850*	109
600	SL0600VHER-F16	F16	951	693	465	440	46	215	28	22	154	165	10	3700*	170
700	SL0700VHER-F16	F16	1086	802	550	490	46	260	32	22	165	165	6	5200**	235
800	SL0800VHER-F16	F16	1186	915	600	540	46	296	32	22	190	165	6	7240**	300
900	SL0900VHER-F16	F16	1286	1014	650	590	46	339	32	22	203	165	6	10000**	360

*) Opening torque at 10bar ΔP
**) Opening torque at 6bar ΔP

Options

Pneumatic or electric quarter-turn actuator.