

DN 50 - 250, Bare Shaft



SL

Wafer type butterfly valve suitable for flanges PN10/16.

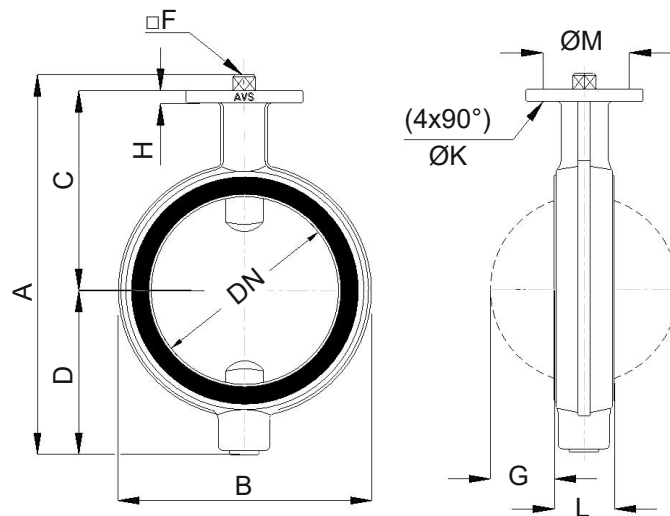
Interchangeable seat with support ring.

Only the disc and seat are in contact with the media.

Valve top according to ISO 5211 for actuator.

Technical Specification

Shut-off pressure:	Max 10bar
Face to face dimension:	Acc. to ISO 5752-20
Body:	Cast iron GJL-200, Epoxy coated
Disc:	Stainless steel AISI316
Stem:	Stainless steel AISI329
Seat:	EPDM (standard), NBR, FKM, natural rubber, Polyurethane or Silicone
Temperature range:	EPDM: 0...+120°C, NBR: 0...+95°C, FKM: 0...+150°C Natural rubber: 0...+80°C, polyurethane: 0...+80°C, silicone: 0...+180°C
ATEX:	CE Ex II 2 GD



Dimensions

DN	Type	ISO5211	A	B	C	D	F	G	H	K	L	M	PN	Nm*	Kg
50	SL0050VHER-F05	F05/F07	232	105	121	97	14	6	12	7/9	43	50/70	10	20	3
65	SL0065VHER-F05	F05/F07	250	125	130	106	14	13	12	7/9	46	50/70	10	27	4
80	SL0080VHER-F05	F05/F07	269	140	140	115	14	20	12	7/9	46	50/70	10	35	4
100	SL0100VHER-F07	F07	292	160	150	125	17	26	12	9	52	70	10	52	5
125	SL0125VHER-F07	F07	310	190	163	130	17	36	12	9	56	70	10	74	6
150	SL0150VHER-F07	F07	343	216	176	150	17	49	12	9	56	70	10	110	7
200	SL0200VHER-F10	F10	416	271	216	183	22	70	15	9/11	60	70/102	10	200	14
250	SL0250VHER-F10	F10	468	326	241	210	22	91	15	9/11	68	70/102	10	370	17

*) Opening torque at 10bar ΔP

Options

Hand lever in steel (P1/P2)

Pneumatic or electric quarter-turn actuator.