

Three Way, Hand Lever

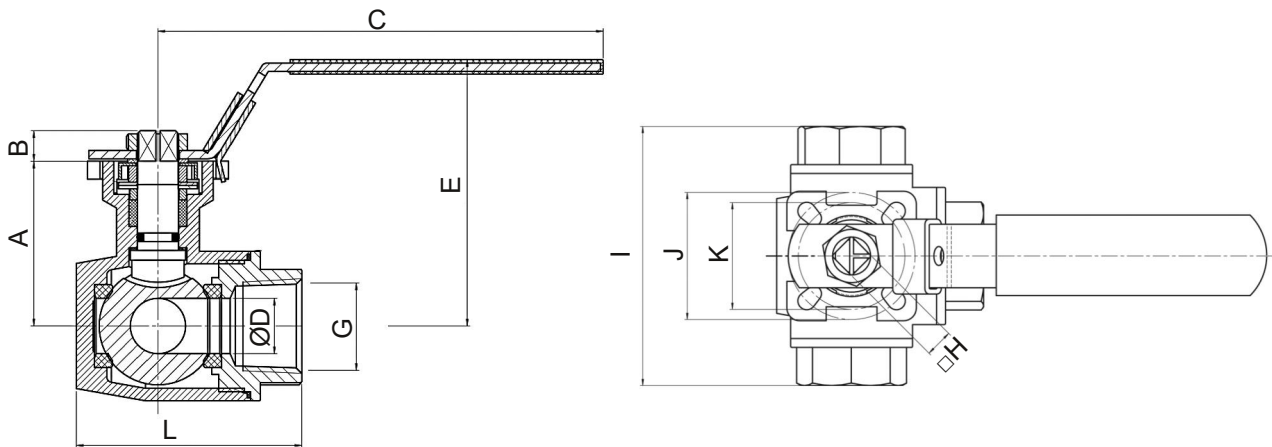


K40-L

Three way ball valve with lockable hand lever.
L port.
Mounting pattern according to ISO5211 for automation with pneumatic or electric actuator.

Technical Specification

Body:	Stainless steel CF8M
Ball:	Stainless steel CF8M
Stem:	Stainless steel AISI316
Hand lever:	Stainless steel AISI304
Bolts and nuts:	Stainless steel AISI304
Ball seats:	Glassfibre reinforced PTFE, RPTFE
Stem seats:	PTFE and FKM
Temperature range:	-20...+160°C
Connections:	Female threads according to ISO228-1



Dimensions

Type	G"	ISO5211	ØD	L	A	B	C	H	I	ØJ	ØK	Kv	PN	Kg
K40-1/4"	1/4	F03/F04	9,0	64	42,0	9	139	9	79	42	36	4	63	0,7
K40-3/8"	3/8	F03/F04	11,0	64	42,0	9	139	9	79	42	36	4	63	0,6
K40-1/2"	1/2	F03/F04	12,5	64	42,0	9	139	9	79	42	36	5	63	0,6
K40-3/4"	3/4	F03/F04	16,0	68	49,0	9	139	9	83	42	36	8	63	0,9
K40-1"	1	F04/F05	20,0	82	59,5	11	160	11	104	50	42	12	63	1,5
K40-1 1/4"	1 1/4	F04/F05	25,0	90	63,0	11	160	11	111	50	42	19	63	2,1
K40-1 1/2"	1 1/2	F05/F07	32,0	106	73,5	14	185	14	126	70	50	26	63	3,3
K40-2"	2	F05/F07	38,0	123	82,8	14	185	14	147	70	50	32	63	5,1

Flow Direction

