

DN 50 - 300, Hand Lever



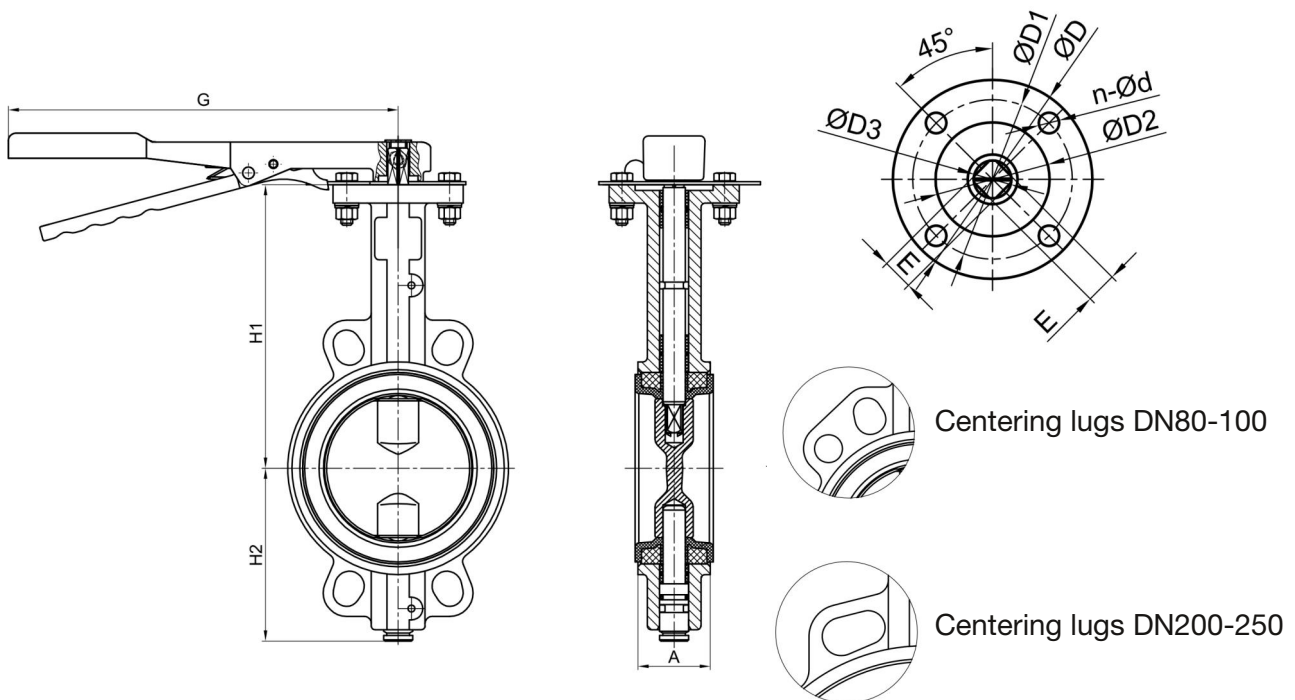
## AVS-101

Wafer type butterfly valve suitable for flanges PN16 / ANSI150.

Only the disc and seat are in contact with the media.  
Valve top according to ISO 5211 for actuator.

### Technical Specification

Shut-off pressure:	Max 16bar
Face-to-face dim:	Acc to DIN 3202 K1
Body:	Cast iron GG25, Epoxy coated
Disc:	Stainless steel A351-CF8M
Stem:	Stainless steel A431
Seat:	EPDM
Temperature range:	-20...+120°C



### Dimensions

DN	Type	ISO5211	G	H1	H2	A	E	ØD	ØD1	ØD2	ØD3	n-Ød	Nm*	Kg
50	AVS-101-DN50	F05	195	161	88	42	9	77	50	35	12	4-Ø7	16	2,6
65	AVS-101-DN65	F05	195	175	97	44,5	9	77	50	35	12	4-Ø7	17	3,2
80	AVS-101-DN80	F05	195	181	103	44,5	9	77	50	35	12	4-Ø7	19	3,5
100	AVS-101-DN100	F07	266	200	122	51	11	90	70	55	14	4-Ø10	41	4,5
125	AVS-101-DN125	F07	266	213	135	54,5	14	90	70	55	17,6	4-Ø10	59	6,5
150	AVS-101-DN150	F07	328	226	147	54,5	14	90	70	55	17,6	4-Ø10	103	7,4
200	AVS-101-DN200	F10	386	260	183	59,6	17	125	102	70	22,1	4-Ø12	154	13,2
250	AVS-101-DN250	F10	386	292	211	67	22	125	102	70	28	4-Ø12	231	20,6
300	AVS-101-DN300	F10	386	337	250	75,5	22	140	102	70	28	4-Ø12	285	29,0

\*) Torque at 16bar ΔP