

DN 50 - 300, Bare Shaft



AVS-101

Wafer type butterfly valve suitable for flanges PN16 / ANSI150.

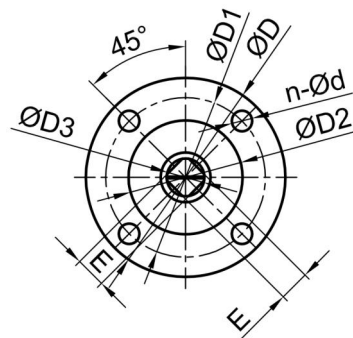
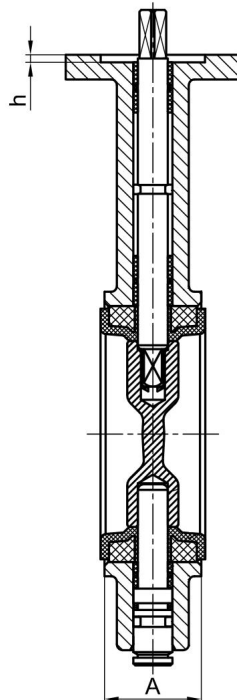
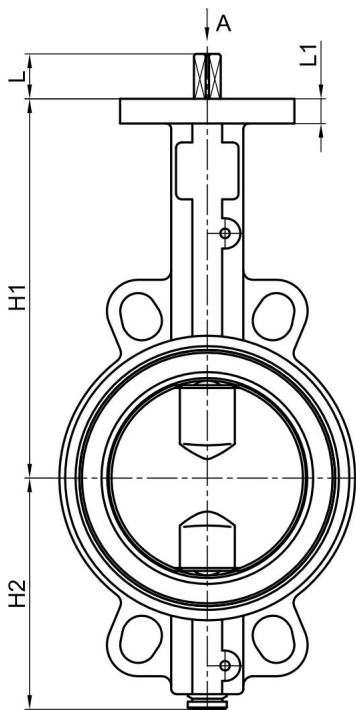
Seat with support ring.

Only the disc and seat are in contact with the media.

Valve top according to ISO 5211 for actuator.

Technical Specification

Shut-off pressure:	Max 16bar
Face-to-face dim:	Acc to DIN 3202 K1
Body:	Cast iron GG25, Epoxy coated
Disc:	Stainless steel A351-CF8M
Stem:	Stainless steel A431
Seat:	EPDM
Temperature range:	-20...+120°C



Centering lugs DN80-100



Centering lugs DN200-250

Dimensions

DN	Type	ISO5211	H1	H2	A	E	ØD	ØD1	ØD2	ØD3	n-Ød	L1	Nm*	Kg
50	AVS-101-DN50 Bare shaft	F05	161	88	42	9	77	50	35	12	4-Ø7	13	16	2,6
65	AVS-101-DN65 Bare shaft	F05	175	97	44,5	9	77	50	35	12	4-Ø7	13	17	3,2
80	AVS-101-DN80 Bare shaft	F05	181	103	44,5	9	77	50	35	12	4-Ø7	13	19	3,5
100	AVS-101-DN100 Bare shaft	F07	200	122	51	11	90	70	55	14	4-Ø10	13	41	4,5
125	AVS-101-DN125 Bare shaft	F07	213	135	54,5	14	90	70	55	17,6	4-Ø10	13	59	6,5
150	AVS-101-DN150 Bare shaft	F07	226	147	54,5	14	90	70	55	17,6	4-Ø10	13	103	7,4
200	AVS-101-DN200 Bare shaft	F10	260	183	59,6	17	125	102	70	22,1	4-Ø12	13	154	13,2
250	AVS-101-DN250 Bare shaft	F10	292	211	67	22	125	102	70	28	4-Ø12	13	231	20,6
300	AVS-101-DN300 Bare shaft	F10	337	250	75,5	22	140	102	70	28	4-Ø12	19	285	29,0

*) Torque at 16bar ΔP