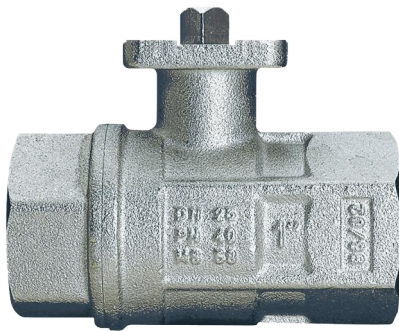


2-piece, for actuator

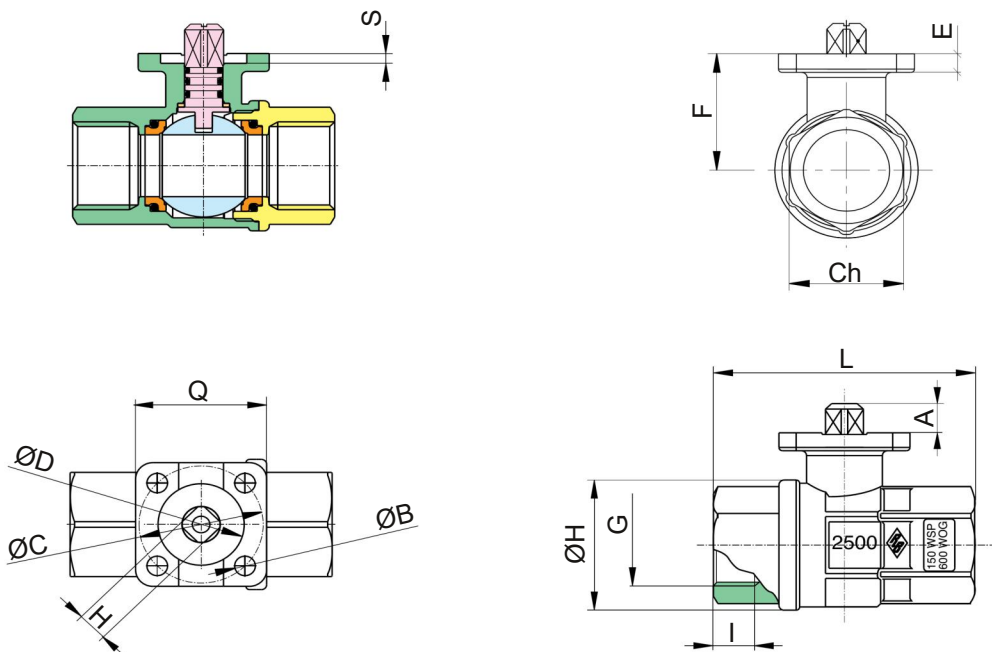


2500

2-piece ball valve with valve top according to ISO 5211 for actuator.
Full port.

Technical Specification

Body:	Brass CW617N UNI EN 12165
Ball:	Mässing CW617N UNI EN 12165
Stem:	Mässing CW614N UNI EN 12164
Seals:	PTFE and FKM
Temperature range:	-20...+160°C
Connections:	Female threads according to UNI EN 10226-1



Dimensions

Type	DN	G"	Q	I	Ch	ØH	L	A	ØB	ØC	ØD	S	E	F	N	Kv	PN	Kg
2500-1/4"	08	1/4	38	11,0	27	33,5	67	9	6	36	25	2	5,5	32,5	9	5,4	40	0,37
2500-3/8"	10	3/8	38	11,4	27	33,5	67	9	6	36	25	2	5,5	32,5	9	6,0	40	0,35
2500-1/2"	15	1/2	38	15,0	27	33,5	67	9	6	36	25	2	5,5	32,5	9	16,3	40	0,31
2500-3/4"	20	3/4	38	16,3	32	40,0	76	9	6	36	25	2	5,5	34,5	9	29,5	40	0,40
2500-1"	25	1	38	19,1	41	49,0	90	9	6	36	25	3	6,0	45,5	9	43,0	40	0,75
2500-1 1/4"	32	1 1/4	38	21,4	50	58,5	102	9	6	36	25	3	6,0	49,0	9	89,0	40	1,05
2500-1 1/2"	40	1 1/2	50	21,4	55	73,0	114	11	7	50	35	3	10,0	64,0	11	230,0	40	1,73
2500-2"	50	2	50	25,7	70	91,5	138	11	7	50	35	3	8,0	73,2	11	265,0	40	2,98
2500-2 1/2"	65	2 1/2	70	30,2	90	114,5	165	15	9	70	55	3	9,0	88,5	14	540,0	25	4,20
2500-3"	80	3	70	33,3	105	136,0	188	15	9	70	55	3	9,0	98,0	14	873,0	16	6,28
2500-4"	100	4	70	39,3	130	166,0	225	17,5	9	70	55	3	8,5	116,5	17	1390,0	16	10,25