

## Disco Check Valve, Stainless steel



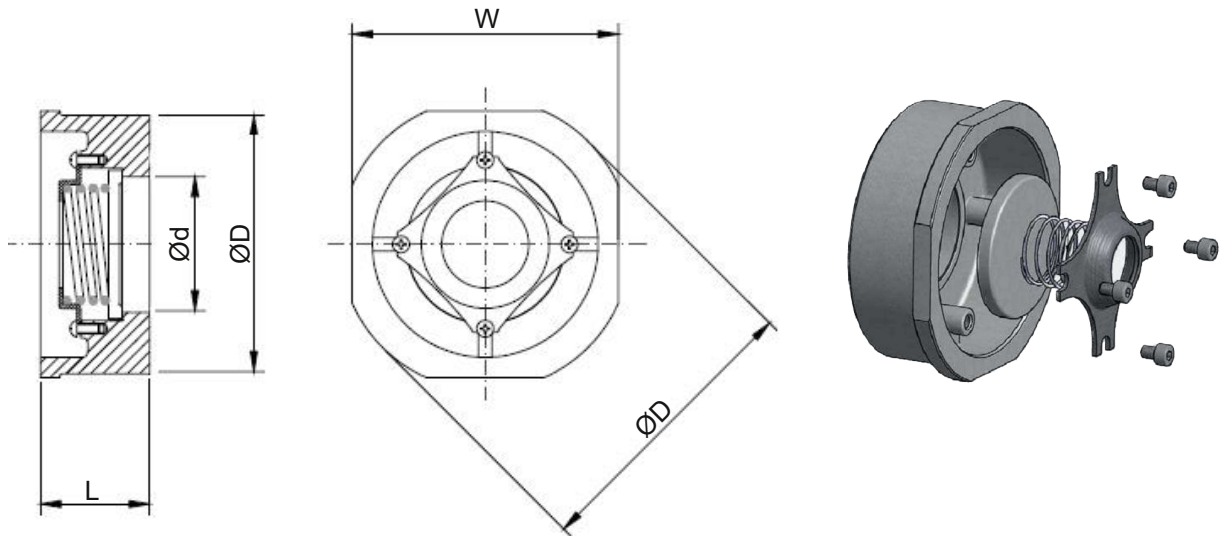
### Serie CD6

Disco check valve for backflow prevention in pipe systems.

The disco check valves type CD6 is suitable for industrial use in pipe systems for the transport of liquid or gaseous media.

### Technical Specification

Body:	Stainless steel CF8M, 1.4408
Disc:	Stainless steel AISI316, 1.4436
Spring:	Stainless steel AISI316, 1.4436
Seat:	Metal
Temperature range:	-20...+300°C
Connection:	Flange PN6-10-16-25-40/ANSI150



### Dimensions

Type	DN	Ød	ØD	ØF	W	L	Kv	PN	Kg
CD6-DN15-PN40	15	15	43	53	43	16	2	10/16/25/40	0,10
CD6-DN20-PN40	20	20	53	63	53	19	7	6/10/16/25/40	0,16
CD6-DN25-PN40	25	25	63	73	63	22	13	6/10/16/25/40	0,28
CD6-DN32-PN40	32	30	75	84	75	28	17	6/10/16/25/40	0,52
CD6-DN40-PN40	40	38	86	94	86	32	23	10/16/25/40	0,70
CD6-DN50-PN40	50	47	95	107	95	40	48	6/10/16/25/40/ANSI150	1,10
CD6-DN65-PN40	65	62	115	126	115	46	55	6/10/16/25/40	1,58
CD6-DN80-PN40	80	77	131	145	131	50	83	6/10/16/25/40/ANSI150	1,78
CD6-DN100-PN40	100	96	150	164	150	60	127	6/10/16/25/40/ANSI150	3,30
CD6-DN125-PN40	125	122	190	190	190	90	183	10/16/25/40/ANSI150	8,00
CD6-DN150-PN40	150	148	219	219	219	106	258	10/16/25/40/ANSI150	12,00

### Options

Valve with seat in EPDM, NBR, FKM or PTFE