

## Stainless Steel

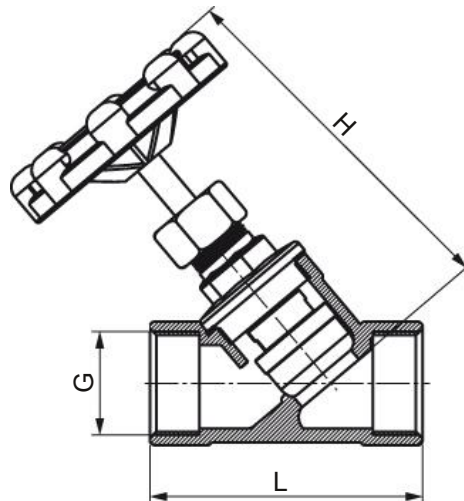


13

Y type globe valve with handwheel  
Rising stem

### Technical Features

Body:	Stainless steel CF8M
Disc:	Stainless steel CF8M
Stem:	Stainless steel AISI 316
Handwheel:	Carbon steel
Nut:	Stainless steel AISI 304
Seat:	PTFE
Body gasket:	PTFE
Packing:	PTFE
Temperature range:	-20...+200°C
Connection:	Female thread acc. to ISO 228-1



### Dimensions

Type	G"	DN	L	H	PN	Kg
1323/08-1/2"	1/2	15	61	100	40	0,42
1324/08-3/4"	3/4	20	70	125	40	0,51
1325/08-1"	1	25	86	130	40	0,77
1326/08-1 1/4"	1 1/4	32	100	165	40	1,07
1327/08-1 1/2"	1 1/2	38	111	195	40	1,36
1328/08-2"	2	50	138	210	40	2,13